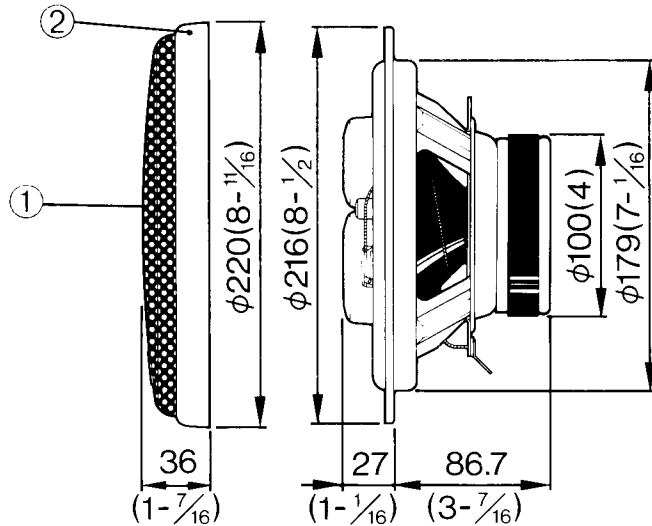
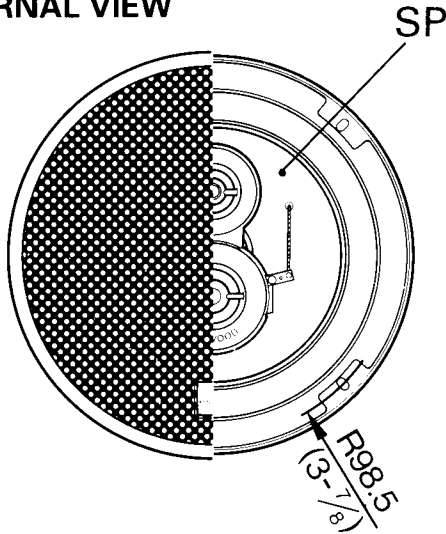


KFC-HQ202

SERVICE MANUAL

© 1995-1 PRINTED IN JAPAN
B51-6808-00 (N) 1223

EXTERNAL VIEW



UNIT : mm (inch)

PARTS INCLUDED

- ③ × 8
- ④ × 2
- ⑤ × 8
- ⑥ $\phi 4 \times 35$ × 8
- ⑦ 4.5m (15ft) × 2
- ⑧ × 1

SPECIFICATIONS

Speakers	
Woofer	200mm (8in) Injection P.P. Cone Type
	510g (18 oz) Magnet
Midrange	35mm (1-3/8in) Balanced Dome Type
Tweeter	25mm (1in) Balanced Dome Type
Peak Power	200Watts
Frequency Response	25Hz~25,000Hz
Sensitivity	91dB/W at 1m
Impedance	4 Ohms
Net Weight	3,900g (8.6lb)/Pair

Note: _____
KENWOOD follows a policy continuous advancements in development.
 For this reason specifications may be changed without notice.

PARTS LIST

★ New Parts
 Parts without **Parts No.** are not supplied.
 Les articles non mentionnés dans le **Parts No.** ne sont pas fournis.
 Teile ohne **Parts No.** werden nicht geliefert.

Ref No.	New Parts	Parts No.	Description
①	★	F09-1114-08	Protector
②	★	B06-0924-08	Grille
③	★	J19-3989-08	Gasket
④		B43-0937-08	Badge
⑤, ⑥	★	N99-1303-08	Screw set
⑦	★	E30-5241-08	Speaker cord
⑧		J69-0117-08	Viscous tape
SP	★	T15-0286-08	Speaker

KENWOOD CORPORATION

14-6, Dogenzaka 1-chome, Shibuya-ku, Tokyo 150, Japan
KENWOOD SERVICE CORPORATION
 P.O. BOX 22745, 2201 East Dominguez St., Long Beach, CA 90801-5745, U.S.A.
KENWOOD ELECTRONICS CANADA INC.
 6070 Kestrel Road, Mississauga, Ontario, Canada L5T 1S8
KENWOOD ELECTRONICS LATIN AMERICA S.A.
 P.O. BOX 55-2791, Piso 6 Plaza Chase, Cl. 47 y Aquilino de la Guardia, Panama, Republic de Panama
TRIO-KENWOOD U.K. LIMITED
 KENWOOD House, Dwight Road, Watford, Herts., WD1 8EB United Kingdom
KENWOOD ELECTRONICS BENELUX N.V.
 Mechelsesteenweg 418 B-1930 Zaventem, Belgium
KENWOOD ELECTRONICS DEUTSCHLAND GMBH
 Rembrucker-Str. 15, 63150 Heusenstamm, Germany
TRIO-KENWOOD FRANCE S.A.
 13 Boulevard Ney, 75018 Paris, France
KENWOOD ELECTRONICS ITALIA S.p.A.
 Via G. Sirtori, 7/9 20129 Milano, Italy
KENWOOD ESPAÑA S.A.
 Bolivia, 239-08020 Barcelona, Spain
KENWOOD ELECTRONICS AUSTRALIA PTY. LTD. (A.C.N. 001 499 074)
 P.O. BOX 504, 8 Figtree Drive, Australia Centre, Homebush, N.S.W. 2140, Australia
KENWOOD & LEE ELECTRONICS, LTD.
 Unit 3712-3724, Level 37 Tower one, Metroplaza, 223 Hing Fong Road, Kwai Fong, N.T. Hong Kong
KENWOOD ELECTRONICS SINGAPORE PTE LTD.
 No. 1 Genting Lane #07-00, KENWOOD Building, Singapore, 1334
KENWOOD ELECTRONICS (MALAYSIA) SDN LTD.
 10th Floor, Block B, Wisma Semantan, No. 12, Jalan Gelenggang, Bukit Damansara, 50490 Kuala Lumpur, Malaysia